

CL Challenger Lifts **Heavy-Duty 2-Post Lifts**

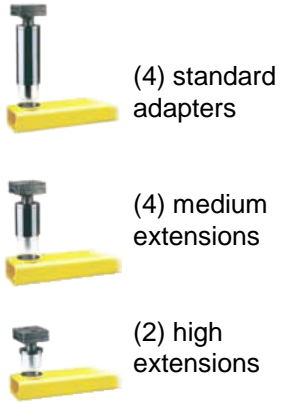
Whether you want to expand your fleet service capabilities, avoid downtime or just increase your bottom line, Challenger Lifts' 15,000 and 18,000 lb. 2-post lifts are the solutions for your servicing needs.

Not only does our Heavy-Duty Series lift a lot, it's a lot of lift. With features that you would expect to pay more for, like low profile arms, padded overhead cut-off bar, adapter accessories, etc. In fact, no other lift company gives you more.



Model#: 15002
Heavy-Duty 2-Post Lift
15,000 lb. capacity

Standard features:



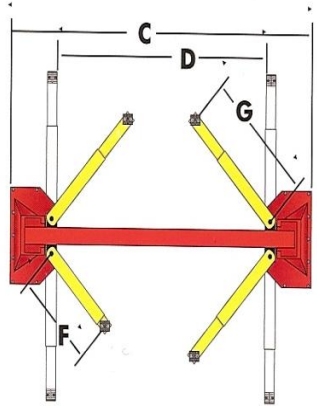
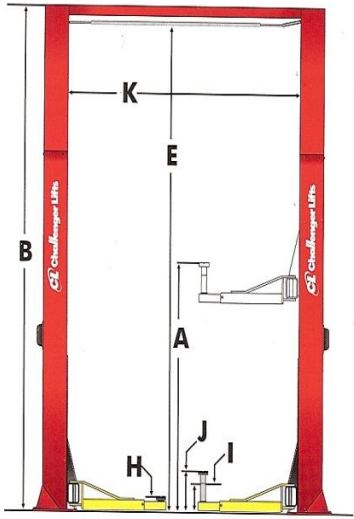
(4) standard adapters
engaging Adapters
Part#: 10318



(4) reducer bushings for use with frame engaging adapters
Part#: 10317
(Lift Models 15000 & 18000 only)



(2) organizer racks for adapter extensions
(2) Part#: 10316



Model Number	15000	15002	18000	18002
Lifting Capacity	15,000 lb.		18,000 lb.	
A Rise Height	85 1/2"			
B Height Overall	14' 6"	16' 6"	14' 6"	16' 6"
C Width Overall	12' 10 3/4"		12' 10 3/4"	
D Drive-Thru Clearance	106 3/4"		106 3/4"	
E Floor-Overhead Switch	13' 11"	15' 11"	13' 11"	15' 11"
F Reach (Arm Minimum)	38 1/2"		38 1/2"	
G Reach (Arm Maximum)	62"		62"	
H Adj. Adapter Height	6 1/4" - 8 1/2"			
I Adj. Adapter Height (with Medium Extensions)	10 1/4" - 12 1/2"			
J Adj. Adapter Height (with High Extensions)	14 1/4" - 16 1/2"			
K Inside Columns	120"		120"	
Motor	2HP		2HP	
Voltage (1 Phase Std.)	208v-230v		208v-230v	
Speed of Rise	80 Sec.		80 Sec.	

Call 918-258-8492 to place your Order Today!